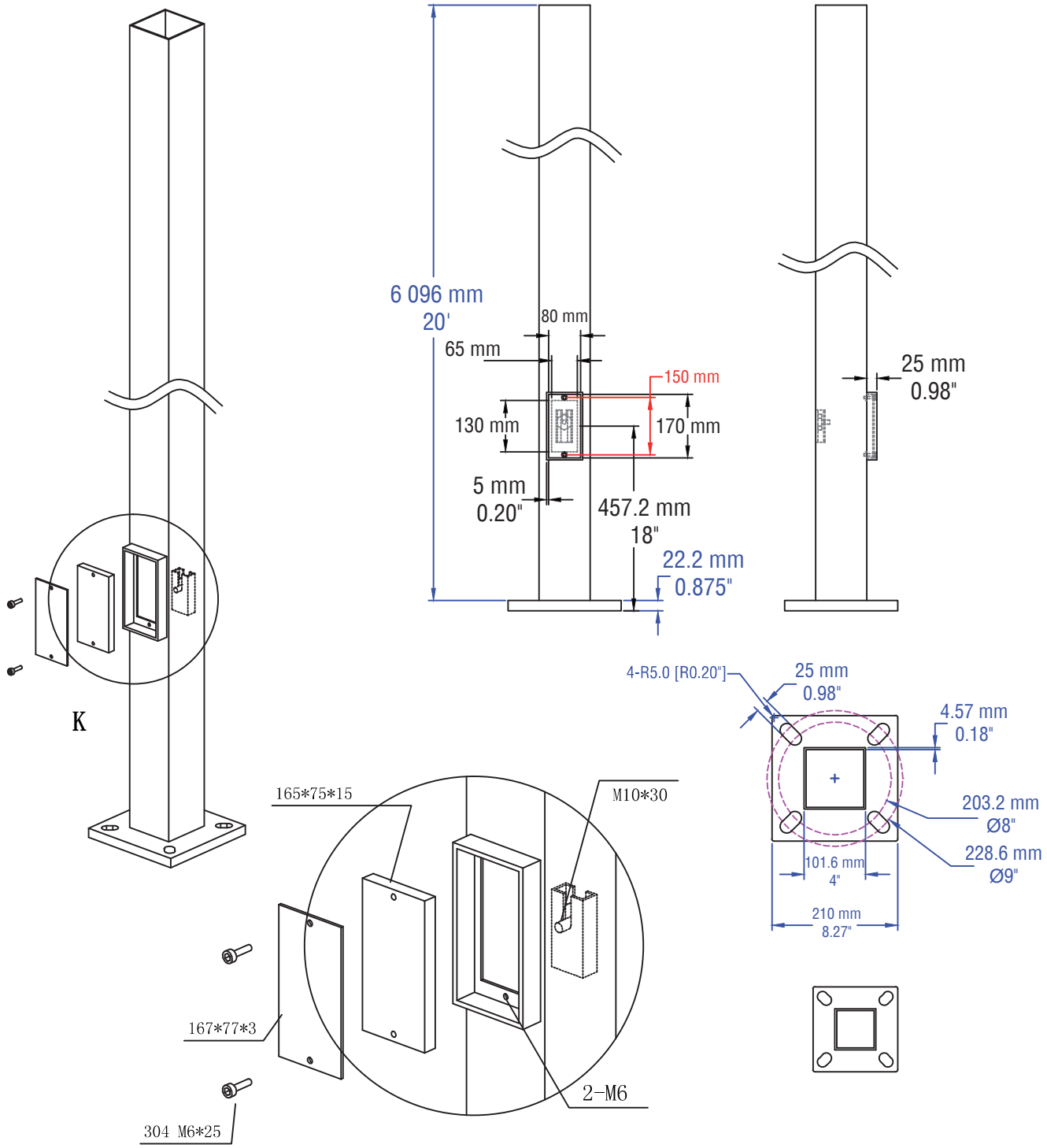


Square pole galvanized 4x4", gage #7, 20', bc 8"

EPA at 90 mph: 10.5

EPA at 100 mph: 7.5

EPA at 110 mph: 5.5



info@technilight.ca

WWW.TECHNILIGHT.CA