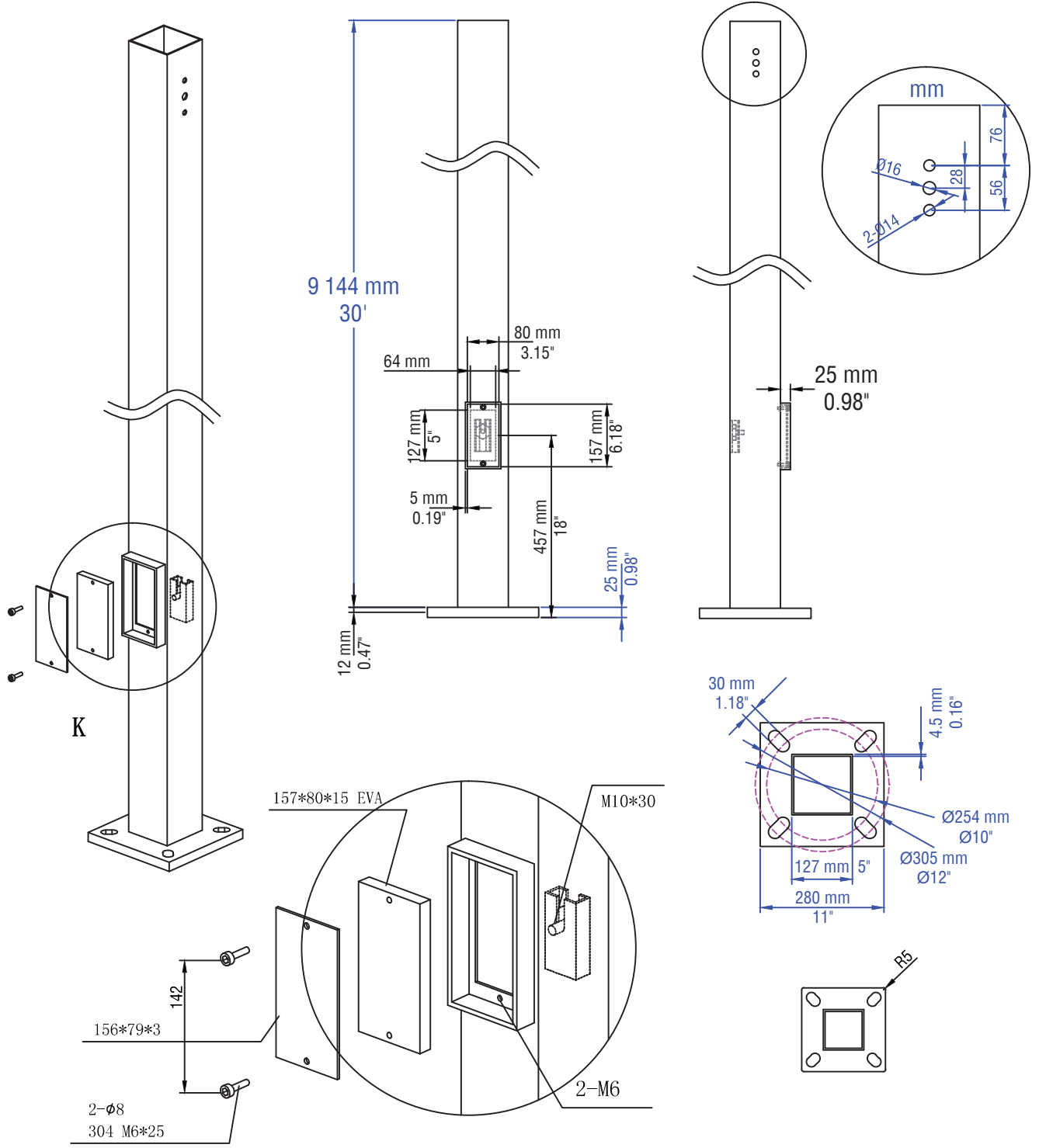


Square pole galvanized 5x5", gage #7, 30', bc 10-12"

EPA at 90 mph: 11.7
 EPA at 100 mph: 8.0
 EPA at 110 mph: 7.0



info@technilight.ca

WWW.TECHNILIGHT.CA