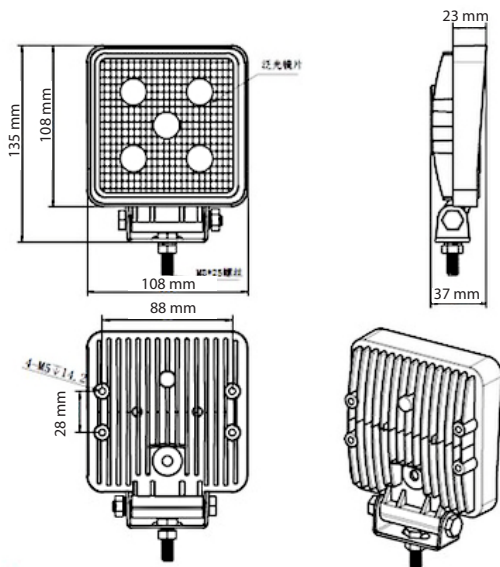




**TLOR15FC**

**IP67**

**Off road LED work light**



**RoHS**

**Specifications TLOR15FC**

**Electrical specifications**

Model No.	TLOR15FC
Power (W) ± 10%	15 W
Input Voltage (V)	9-32V DC
Efficacy ± 3%	73.33 lm/W
Dimmable	No

**Photometric Specifications**

CRI	N/D
CCT	6 500 K
Beam angle	± 90°
Light Output ± 3%	1 100 lm

**Mechanical Specifications**

IP Rating	IP67
Material	Aluminum
Lens	PC
Net Weight	0.575 kg
Product size (mm)	± 108 x 40 x 135 mm
Product size (inch)	± 4.25 x 1.57 x 5.31"
Operating Humidity	10% - 90%
Operating Temperature	-40°C ~ 50°C
Lifespan	30 000 hours

**Product description:**

- Light and compact.
- Great energy savings compared to traditional lighting.
- 27 W (2 200 lm) and 48 W (3 360 lm) available on request.

**Applications:**

For offroad vehicle, atvs, truck, engineering vehicle (excavator, treedozer, road roller, bulldozer, crane and mining truck, etc.), special vehicle (fire engine, police car, rescue vehicle, communication vehicle, military command vehicle), forklift, train, boat, etc.

[info@technilight.ca](mailto:info@technilight.ca)

**WWW.TECHNILIGHT.CA**