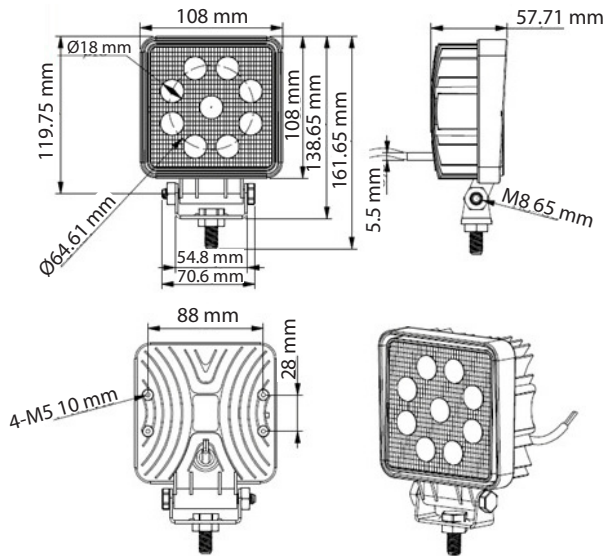




TLOR27FC

IP67

Off road LED work light



RoHS

Specifications TLOR27FC

Electrical specifications

Model No.	TLOR27FC
Power (W) ± 10%	27 W
Input Voltage (V)	9-32V DC
Efficacy ± 3%	81.48 lm/W
Dimmable	No

Photometric Specifications

CRI	N/D
CCT	6 500 K
Beam angle	± 90°
Light Output ± 3%	2 200 lm

Mechanical Specifications

IP Rating	IP67
Material	Aluminum
Lens	PC
Net Weight	0.575 kg
Product size (mm)	± 110 x 62 x 135 mm
Product size (inch)	± 4.33 x 2.44 x 5.31"
Operating Humidity	10% - 90%
Operating Temperature	-40°C ~ 50°C
Lifespan	30 000 hours

Product description:

- Light and compact.
- Great energy savings compared to traditional lighting.
- 15 W (1 100 lm) and 48 W (3 360 lm) available on request.

Applications:

For offroad vehicle, atvs, truck, engineering vehicle (excavator, treedozer, road roller, bulldozer, crane and mining truck, etc.), special vehicle (fire engine, police car, rescue vehicle, communication vehicle, military command vehicle), forklift, train, boat, etc.

info@technilight.ca

WWW.TECHNILIGHT.CA