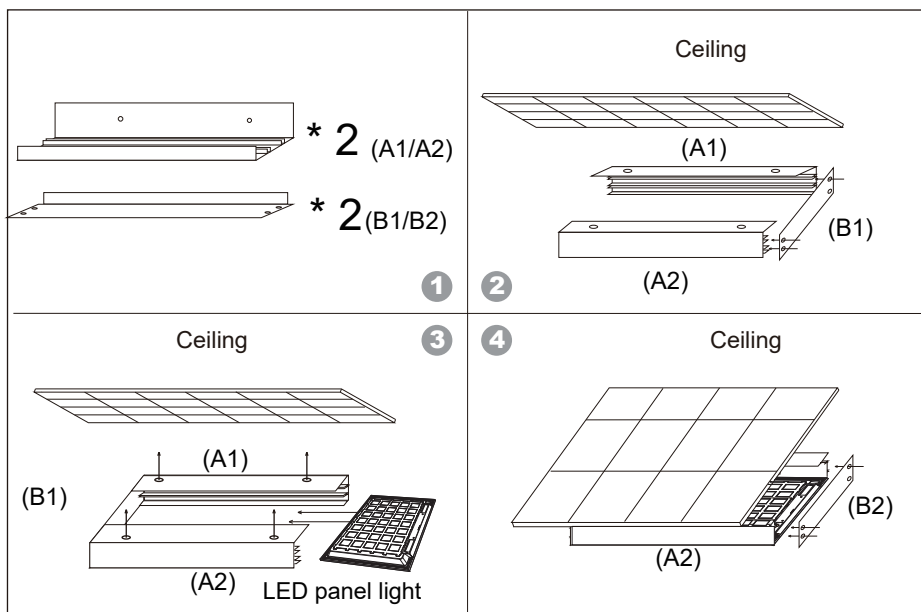
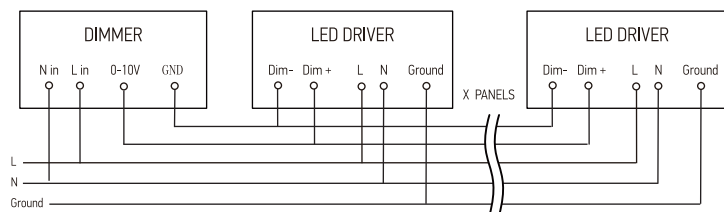


## Surface Mount



1. Surface mount kit: Parts A1, A2, B1, B2. (Sold separately)
2. First install A1, A2, and B1(as illustrated);
3. As is shown in the figure, insert the Back-lit panel light directly between A1 and A2. (the end with power source enters later);
4. Install B2, finish installation.

## Electrical Schematic Diagram



## Backlight LED Panel

### Product Introduction

The backlight panels illuminate over their complete surface brightly and highly consistent in white or warm white. They are outstandingly suited for coffered ceilings but can also be used as elegant interior design elements directly on walls or ceilings. The panel will not produce too much heat and no need for cooling. The consistently illuminated surface almost has no glare and has a highly modern appearance. The use of efficient, long-life and high quality LEDs means that you save electricity and ready cash.

### Product Features

- Long life**  
Its service life is significantly longer than fluorescent lamps or other light sources.
- Ecological**  
Saves electricity and low carbon.
- Saves energy**  
Consumes less energy via use of efficient LEDs.
- Homogeneous**  
Very uniform light distribution in the complete surface.
- Elegant**  
Modern ultra thin design, healthy light, no UV component and almost no glare.

### Applications

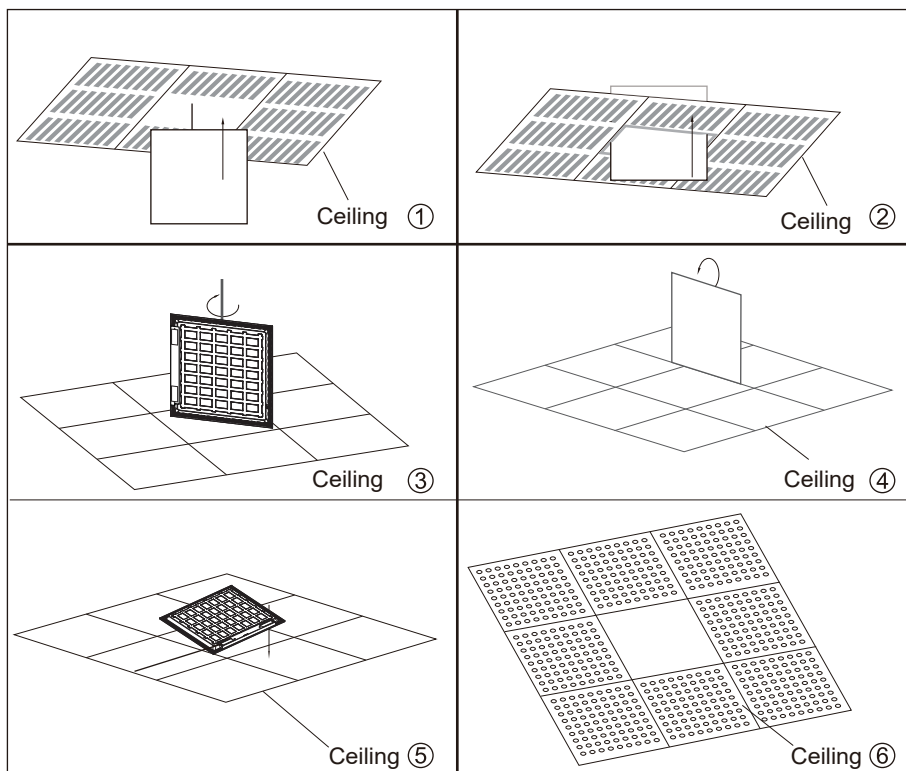
The most common places you are likely to find the panel lights include: hospitals, schools, hallways, lobbies, meeting rooms, restaurants, offices and etc.



### Attention

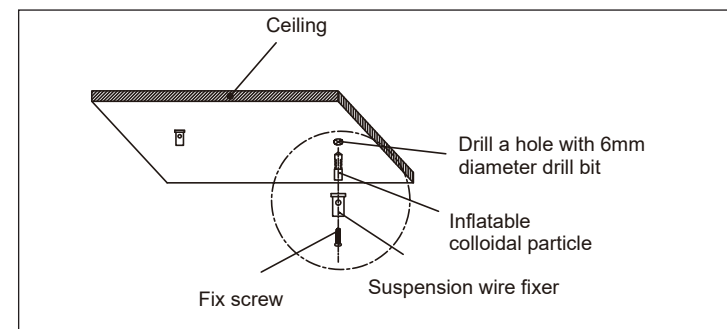
- Do not allow to use scouring powder, abrasive powder, oil and acid alkaline type detergent.
- Do not spray air fresheners, disinfectant, cleaning organic solvents directly on light-emitting surface.
- Do not allow wire connectors to have contact with water.
- Do not allow sharp objects to scratch the lamp, especially the light-emitting surface.

## Recessed Mount

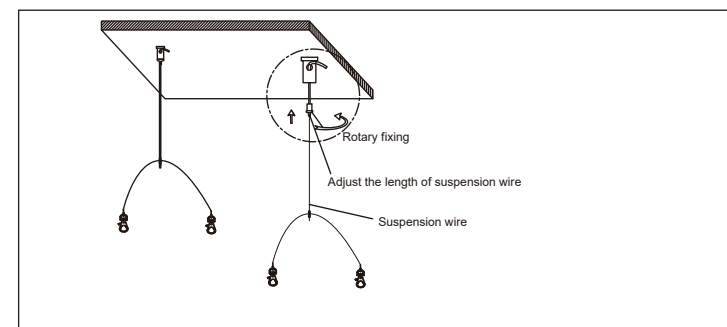


1. Ensure the panel light works well before installation.
2. Put the back-lit panel light at a diagonal position and insert it into ceiling.
3. Rotate the panel light 45° in horizontal direction to make the front of panel face the ceiling square hole.
4. Rotate the panel light 90° in vertical direction to make it correspond to the recessed frame and be sure the front of the panel is facing the ground.
5. Embed the panel light into ceiling. Adjust it to a suitable position to make it flush against the ceiling.

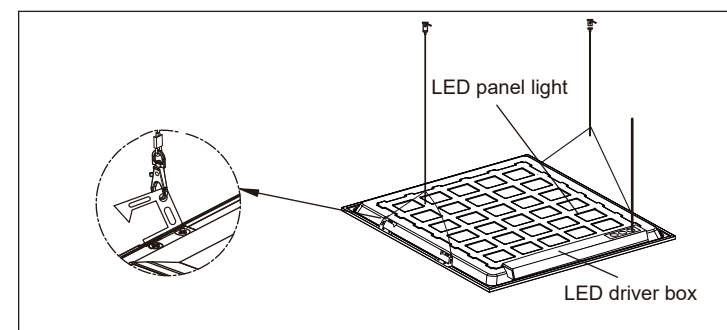
## Suspension Mount



1. Fix the suspension wire fixer on the ceiling



2. Fix the suspension wire on the ceiling



3. Connect LED panel light by the hook of suspension wire