

90° Models

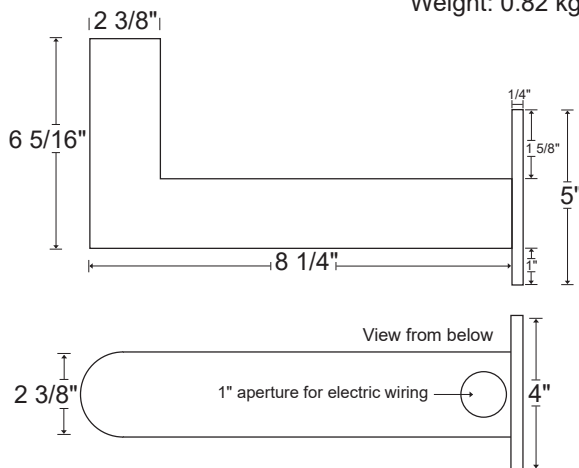
TLS90ABK	Black aluminum 90° bracket
TLS90MBK	Black steel 90° bracket

Product Description:

- 90° aluminum bracket for "Slip Fitter".
- Installation plate with 1" aperture for electric wiring.
- 2 3/8" outside diameter bracket.
- Steel or aluminum.
- Straight bracket available.
- Elbow bracket available.

Size

Weight: 0.82 kg



Applications:

Fixing for luminaire on pole, wall or other.



Similar products

Description

TLSELBK	Black steel elbow bracket
TLSELG	Galvanized steel elbow bracket
TLS180ABK	Black aluminum straight bracket
TLS180MBK	Black steel straight bracket