

Pictures for illustration purpose only

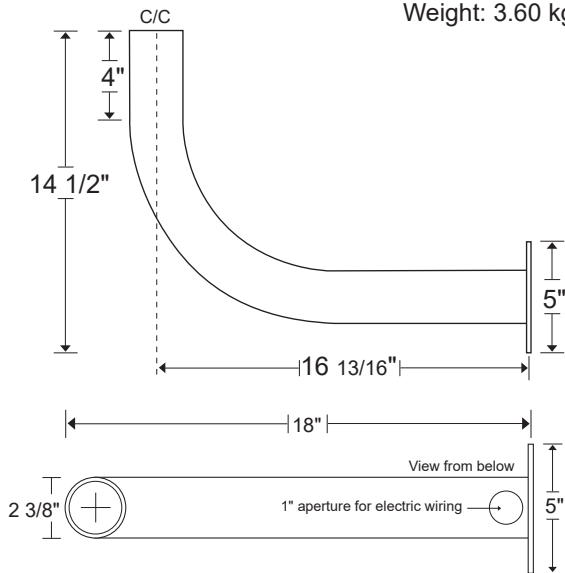
Elbow Models	
TLSELBK	Black steel elbow bracket
TLSELG	Galvanized steel elbow bracket

Product Description:

- Steel elbow bracket for "Slip Fitter".
- Installation plate with 1" aperture for electric wiring.
- 2 3/8" outside diameter bracket.
- Galvanized or black.
- Straight bracket available.
- 90° bracket available.

Size

Weight: 3.60 kg



Applications:

Fixing for luminaire on pole, wall or other.



Similar products	Description
TLS180ABK	Black aluminum straight bracket
TLS180MBK	Black steel straight bracket
TLS90ABK	Black aluminum 90° bracket
TLS90MBK	Black steel 90° bracket