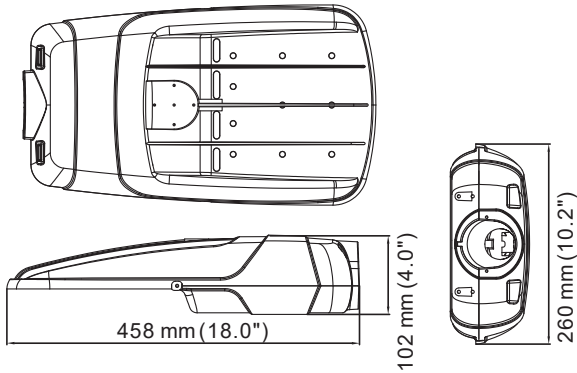




TLSL75T3NGRR7

Street light



Specifications TLSL75T3NGRR7

Electrical Specifications

| | |
|---------------------------|-------------------|
| Model No. | TLSL75T3NGRR7 |
| DLC ID | N/A |
| Power (W) $\pm 10\%$ | 75 W |
| Input Voltage (V) | 100-277V, 50/60Hz |
| Efficacy $\pm 3\%$ | 131 lm/W |
| Power Factor (PF) | 0.95 |
| Dimmable | 0-10V |
| Replace MH/HPS | 150 W |
| Surge protection | 10 kv |
| Total harmonic distortion | <15% |

Photometric Specifications

| | |
|------------------------|----------|
| CRI | >70 |
| CCT | 4 000 K |
| Beam angle | Type III |
| Light Output $\pm 3\%$ | 9 830 lm |
| BUG rating | B2-U0-G2 |

Mechanical Specifications

| | |
|-----------------------|------------------------------------|
| IP Rating | Damp locations |
| Material | Aluminum |
| Lens | PC |
| Net Weight | 2.8 kg |
| Product size (mm) | $\pm 458 \times 260 \times 102$ mm |
| Product size (inch) | $\pm 18 \times 10.2 \times 4$ in |
| EPA | 0.5 ft ² |
| Operating Humidity | 10% - 90% |
| Operating Temperature | -40°C ~ 50°C |
| Lumen maintenance | >83% at 100 000 hours |

Product description:

- Tool-free maintenance.
- 7 pin receptacle included.
- Photocell or short-circuit cap sold separately.
- Easily replace traditional MH or HPS luminaire fixture.
- Powerful light efficacy and uniform illumination.
- Saves in electricity consumption compared to MH and HPS lighting fixture.
- Other CCT available on special request.
- Color: gray.
- Other colors available on special request.
- Warranty: 5 Years.

Applications:

Street light. Suitable for parking lots, driveways, large spaces, etc.

Optional accessories



info@technilight.ca

WWW.TECHNILIGHT.CA