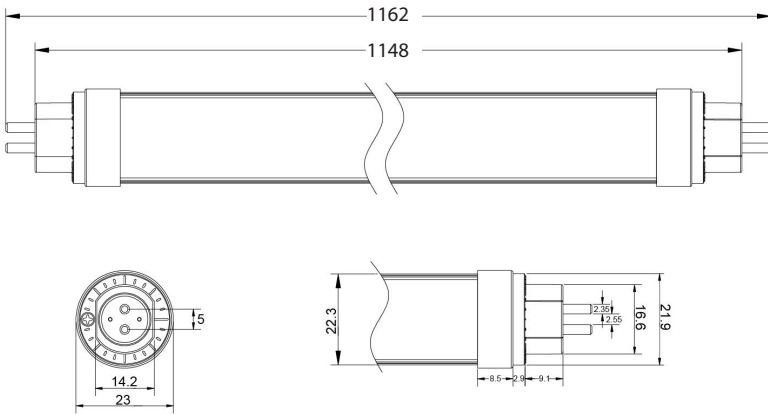




**TLT5U4F24P**

**IP20**



**Specifications TLT5U4F24P**

**Electrical Specifications**

Model No.	TLT5U4F24P
DLC ID	N/D
Power (W) ± 10%	24 W
Input Voltage (V)	AC120-347V, 50/60Hz
Efficacy ± 3%	190 lm/W
Power Factor (PF)	0.9
Total harmonic distortion	≤15%

**Photometric Specifications**

CRI	80
CCT	5 000 K
Beam angle	140°
Light Output ± 3%	4 560 lm
Dimmable	No

**Mechanical Specifications**

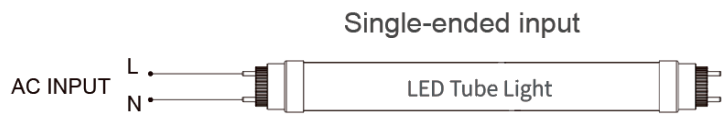
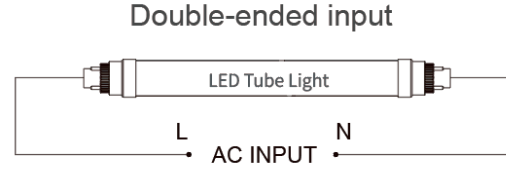
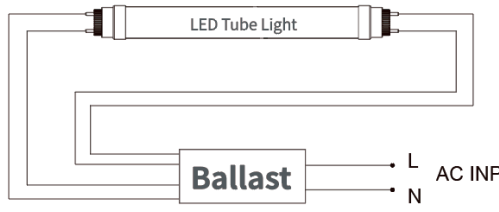
Material	Aluminum + PC
Lens	Frosted
Product size (mm)	± 1162 x 23 mm
Product size (inch)	± 48 x 7/8 inch
Operating Humidity	10% - 90%
Operating Temperature	-40°C ~ 40°C
Lifespan (L70)	>50 000 hours

**Product Description:**

- Perfect replacement for the whole set of T5 fluorescent lighting fixture.
- Soft and uniform light. No glare and no flickering.
- Approximately 50% economy on electricity consumption compared to fluorescent lighting fixture.
- "UL Type A and B". With ballast and direct supply from 120 to 347 VAC.
- Warranty: 5 Years.
- 4 000 K available.
- Not suitable for completely enclosed fixtures.

**Applications:**

Fluorescent T5 tubes replacement.



[info@technilight.ca](mailto:info@technilight.ca)

**WWW.TECHNILIGHT.CA**