

Specifications TLTDL6R15AWH

Electrical Specifications

Model No.	TLTDL6R15AWH	
Power (W) ± 10%	9W / 12W / 15W	
Input Voltage (V)	AC120 V, 60Hz	
Efficacy ± 3%	80 lm/W	
Power Factor (PF)	>0.9	
Dimmable	Triac	



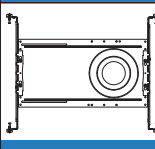
Photometric Specifications

CRI	≥90	
CCT	2700K / 3000K / 3500K / 4000K / 5000K	
Beam angle	120°	
Light output ± 3%	9W: 720 lm	12W: 960 lm
	15W: 1200 lm	

Mechanical Specifications

IP Rating	Damp locations	
Material	Aluminum + PS	
Lens	Frosted	
Net Weight	N/A	
Product size (mm)	± Ø175 x 9.9 mm	
Product size (inch)	± Ø6.89" x 0.39"	
Operating Humidity	10% ~ 90%	
Operating Temperature	-20°C ~ 45°C	
Lifespan (L70)	N/A	

Optional accessories

 TLTDL6TBK	Black 6" trim	 TLTDL6TBN	Brushed nickel 6" trim
 TLMP36 + TLMPHB	TLMP36 3" to 6" installation plate + TLMPHB Fixing bars (sold separately)		

Product description:

- Ultra thin 6" recessed down light.
- Type IC.
- Airtight.
- Junction box with quick connector included.
- Selectable CCT and power.
- Optional installation plate.
- Color: white.
Possibility to customize colors using optional accessories.

Applications:

Houses, schools, shopping centers, etc.