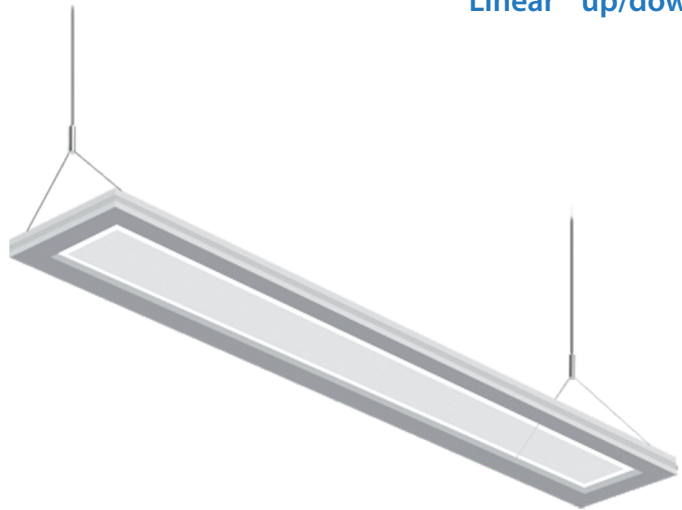
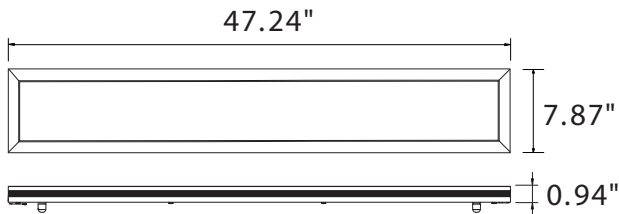


Linear "up/down"



Specifications TLUDPU4C40ADSL

Electrical Specifications

Model No.	TLUDPU4C40ADSL
DLC ID	N/D
Power (W)	40W
Input Voltage (V)	AC 120-347V, 50/60Hz
Efficacy ± 3%	115 lm/W
Power Factor (PF)	>0.9
Surge protection	N/D
Total harmonic distortion	<20%
Dimmable	0-10V

Photometric Specifications

CRI	>80
CCT selectable	3000K / 3500K / 4000K
Beam angle	120°
Light Output ± 3%	4 600 lm

Mechanical Specifications

IP Rating	N/D
Material	Aluminum + PMMA
Lens	Clear
Net Weight	N/D
Product size (mm)	± 1193.8 x 177.8 x 23.88 mm
Product size (inch)	± 47.24" x 7.87" x 0.94"
Operating Humidity	10% ~ 90%
Operating Temperature	-20°C ~ 40°C
Lumen maintenance	>76% at 100 000 hours

Product description:

- Wide supply voltage supply range 120-347 V.
- Selectable CCT.
- Direct and indirect lighting.
55% down and 45% up distribution.
- Its versatile design makes installation easy which reduces installation time and costs.
- Savings on energy consumption compared to conventional lighting.
- Warranty: 5 years.
- Ambient light and motion sensors available as options.
- 6 foot suspension cables not included.
- Frame color: silver. Other colors available on request.

Applications:

Suitable for offices, schools, shops, showrooms etc.

Accessory not included



6' suspension kit

TLUDPSKWH