


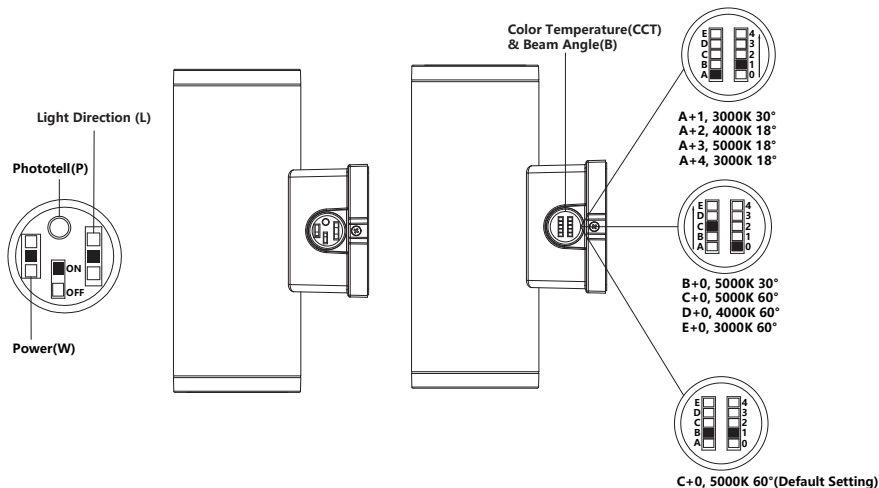
FUNCTION ADJUSTMENT:

Follow the instructions below to change the Fixture Power (W), Color temperature (CCT) Beam Angle(B), Light Direction(L), and Photocell ON/OFF(P) from factory settings:

Factory default settings: Photocell is OFF, Max wattage, 5000K, 60°, light direction is full.

1. Remove the selector switch cover plug as shown in the Function Adjustment.
2. Select the Color Temperature(CCT), Power (W), Beam Angle(B), Light Direction(L), and Photocell ON/OFF(P) position by sliding the respective switch to the desired value.

 Do not operate with power on.
Please turn off the power when adjusting the power or color temperature.



CONNECTION DIAGRAM:

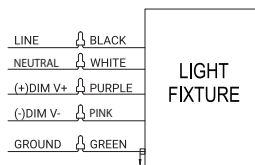
WARNING: TURN OFF POWER BEFORE CONNECTING WIRES.

Black wire connects to L, White wire connects to N, Green wire connects to GROUND.

For 0-10V dimming, the wiring direction is as below:

1. Turn off the power.
2. Connect the BLACK wire with the LINE.
3. Connect the WHITE wire with the NEUTRAL.
4. Connect the GREEN wire with the GROUND.
5. Connect the PURPLE wire with the (V+) DIM.
6. Connect the PINK wire with the (V-) DIM.

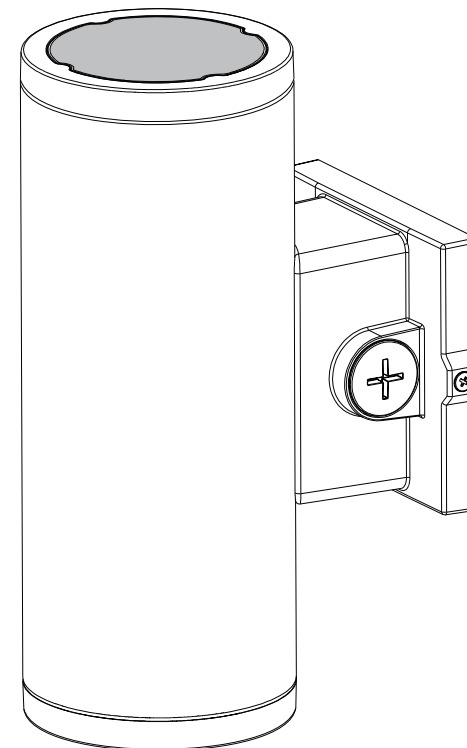
CAUTION: DO NOT connect the PINK (-) DIM V - wire with GROUND.



Technilight

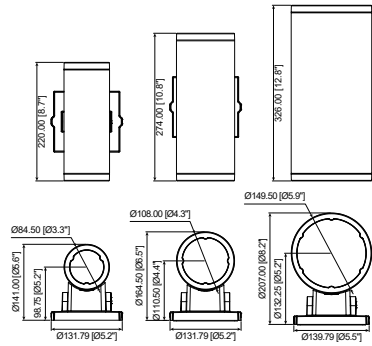
LED Wall Mount Cylinder

Installation Instructions

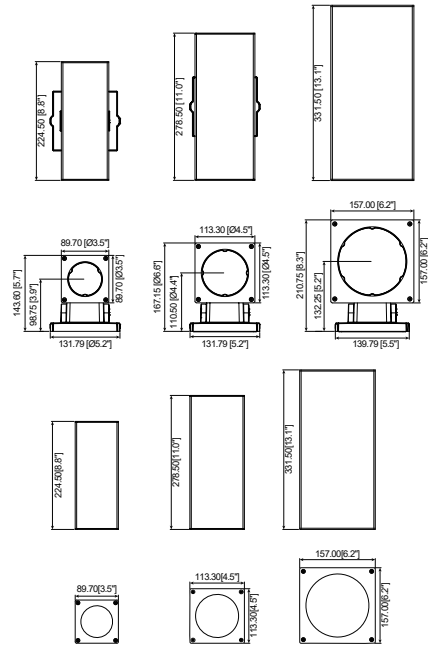


DIMENSIONAL DRAWING:

Dimension for product

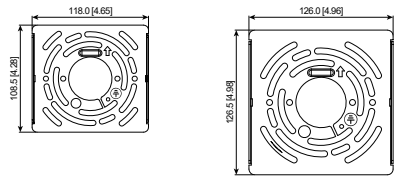


Dimension for product with square shell



3" & 4" mounting plate

6" mounting plate



IMPORTANT CAUTION:

READ CAREFULLY BEFORE INSTALLING FIXTURE. RETAIN THESE INSTRUCTIONS FOR FUTURE REFERENCE.

WARNING: TURN OFF POWER BEFORE INSTALLATION.

1. Review the diagrams before beginning, and make sure the fixture is grounded properly.
2. This fixture has to be installed or maintained in accordance with the application code by a professional person who is familiar with the construction and operation of the product and the hazards involved.
3. This fixture must be wired in accordance with the international electrical code and applicable local codes and ordinances.
4. Proper grounding is required to ensure personal safety. Carefully observe the correct grounding procedure under the installation section.
5. Check that the voltage is compatible with the fixture driver, and use approved connectors for all electrical connections.

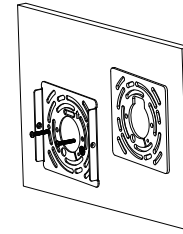
MAINTENANCE AND CLEANING:

WARNING: TURN OFF POWER BEFORE MAINTENANCE AND CLEANING.

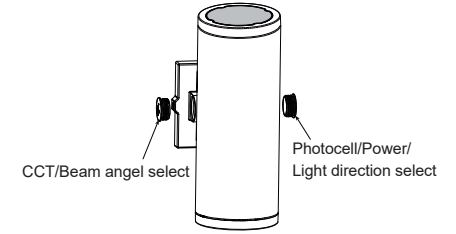
1. Before touching the fixture, make sure the fixture is cooling.
2. Do not clean or maintain while the fixture is energized.
3. Clean the lens & fixture with a non-abrasive glass cleaning solution.
4. Do not open the fixture to clean and touch LED chips.

INSTALLATION:

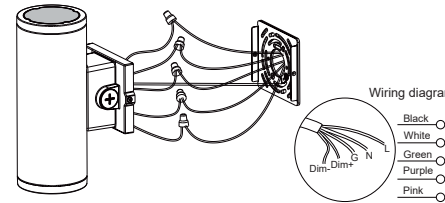
1. Fix the mounting plate on the wall.



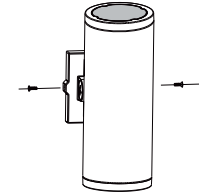
2. Select the desired color temperature, wattage, beam angle, photocell, and light direction.



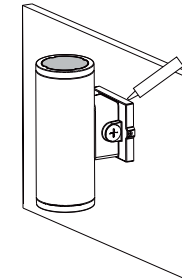
3.1 Fix the safety rope on the lamp to the mounting plate.
3.2 Connect the corresponding terminals according to the wiring diagram. ("L", "N", "G", "DIM+", "DIM-" connections)



4. Fix the mounting plate on the junction box using the screws provided.



5. Apply weatherproof silicone sealant between the wall and fixture housing to ensure a weatherproof installation.



Square Shell Installation

1. Slide the square shell onto the cylinder, be careful the side with screw holes should face upward.
2. Put the top cover on the square shell and secure with screws.

