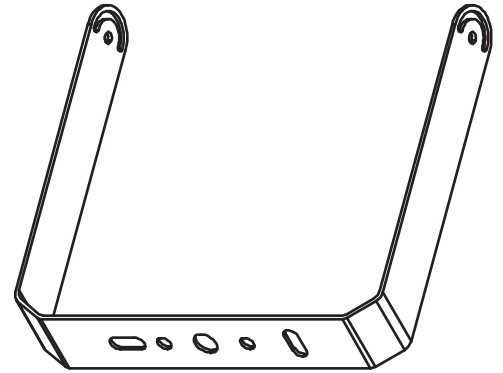




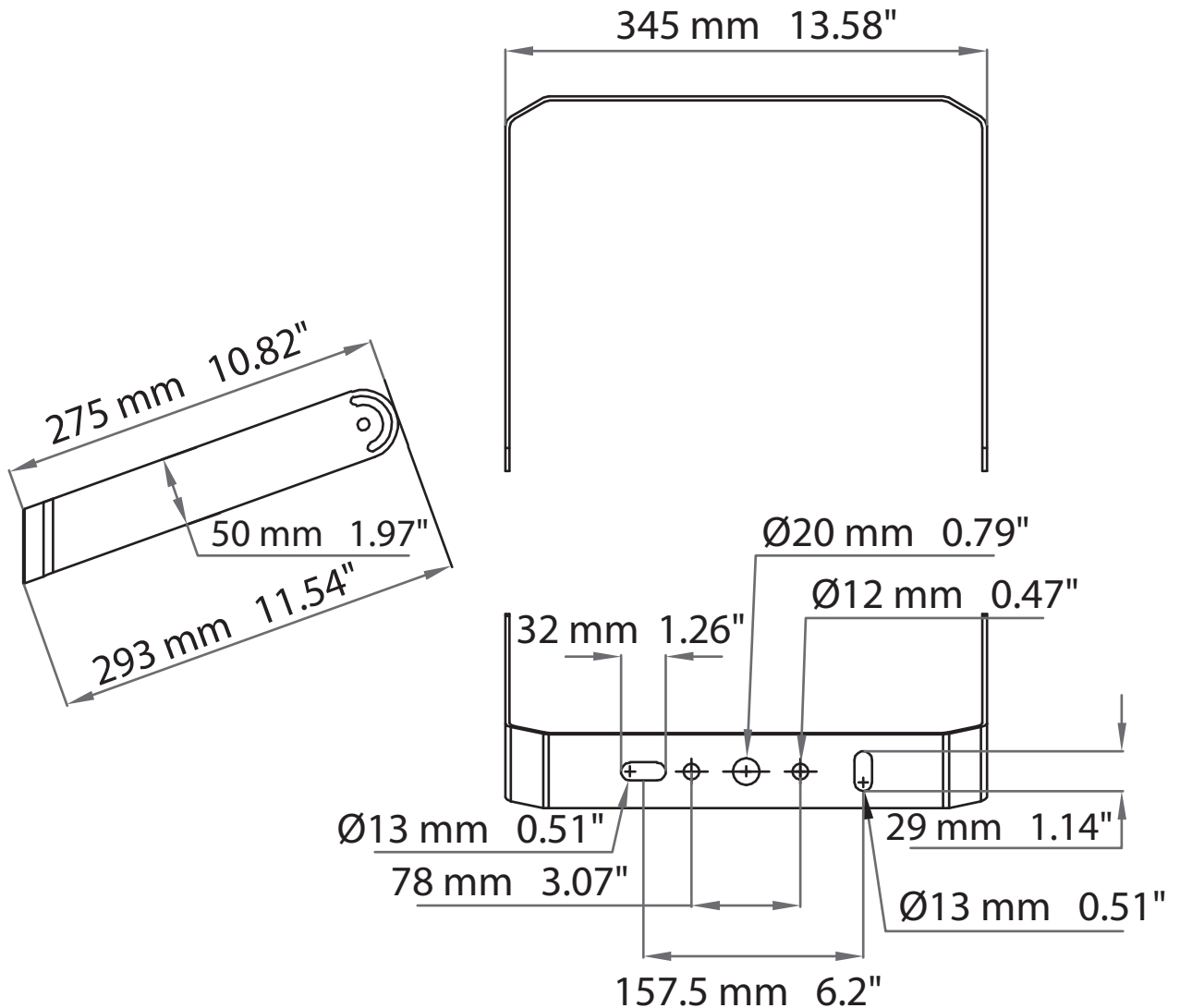
TU Bracket

TPALTU2BK_V1

For TPAL 300W



Dimensions



info@technilight.ca

WWW.TECHNILIGHT.CA