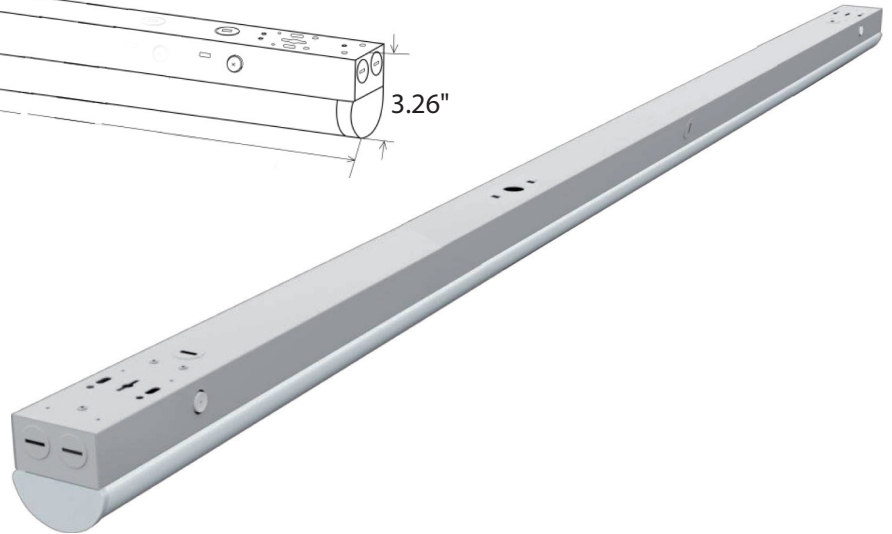
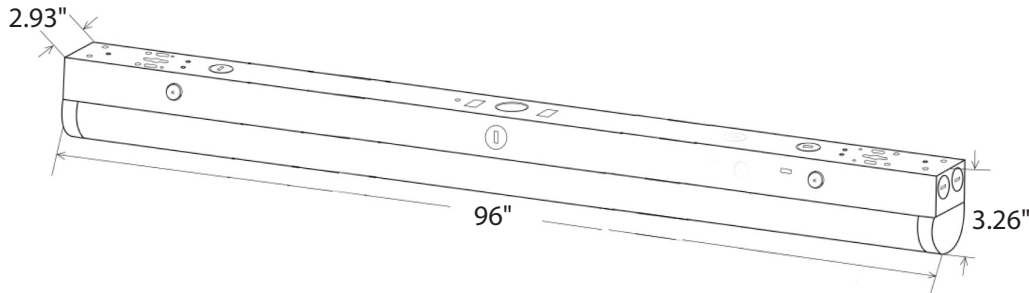


TPLUS8F150ADS

Technilight

PRO



Specifications TPLUS8F150ADS

Electrical Specifications

Model No.	TPLUS8F150ADS
DLC ID	S-CS2ID1
Power (W) selectable \pm 10%	80W / 90W / 100W / 125W / 150W
Input Voltage (V)	AC120-347V, 50/60Hz
Efficacy \pm 3%	152.6 lm/W
Power Factor (PF)	0.93
Dimmable	0-10 V
Surge protection	2 kv
Total harmonic distortion	<20%

Photometric Specifications

CRI	84
CCT selectable	30K / 35K / 40K / 50K / 65K
Beam angle	120°
Light Output \pm 3%	Min.: 12 208 lm Max.: 22 890 lm

Mechanical Specifications

IP Rating	IP20
Material	Steel + Acrylic
Lens	Frosted
Net Weight	3.69 kg
Product size (mm)	\pm 2 438 x 50.8 x 76 mm
Product size (inch)	\pm 96" x 2.93" x 3.26"
Operating Humidity	10% - 90%
Operating Temperature	-20°C ~ 40°C
Lumen maintenance	>82% at 100 000 hours

Product description:

- Wide supply voltage supply range 120-347 V.
- Selectable power and CCT.
- Motion and daylight sensor included.
- Installation: surface mount or suspended.
- Dimmable 0-10 V.
- Warranty: 5 years.

Applications:

Suitable for houses, basements, warehouses, garages, shops, etc.

Optional accessories



HD06R
Remote control setting
for sensor



TLSSR
Suspension kit

info@technilight.ca

WWW.TECHNILIGHT.CA