

**TSHBL3-2-W****PIR lens**

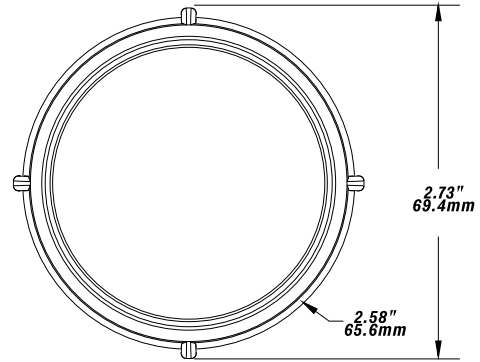
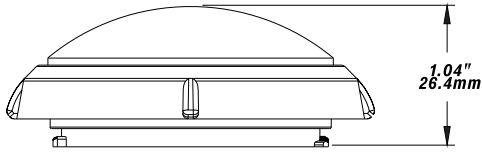
### Description

The Technilight Smart product line offers a versatile range of passive infrared (PIR) lenses that are compatible with most of its occupancy sensors (sold separately). These interchangeable Fresnel lenses provide exceptional flexibility for various installation scenarios and mounting heights. This comprehensive selection of lenses allows users to optimize sensor performance for specific applications, adapt to different room sizes and configurations, adjust to varying ceiling heights, and customize coverage patterns to meet specific space requirements. By choosing the ideal lens for each project, users ensure maximum efficiency and accuracy from their Technilight Smart occupancy detection system.

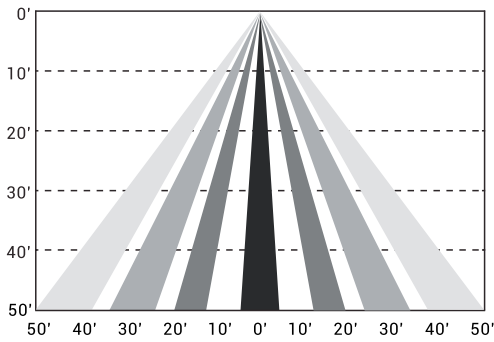
### Features

- The TSHBL3-2-W is Technilight Smart's most powerful high-bay lens, offering 360° coverage ideal for open spaces and aisles in high-bay applications. It features multiple cells and multiple levels.
- Large-diameter Fresnel lens providing a high-density beam. This lens is designed for optimal mounting heights between 6 m and 15 m, with a coverage area of up to 30 m in diameter at a height of 15 m. In certain applications, it can be used up to a height of 15 m.

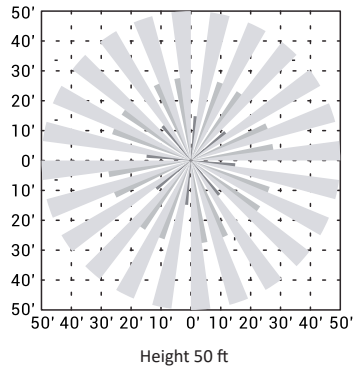
# Coverage and dimensions



Coverage side view



Coverage top view



Detecting spots for ref

