

Technilight

SMART



Description

The TSSPF9D series high bay sensors are specifically designed for outdoor use. These sensors feature a photocell, passive infrared (PIR) motion detection, integrated long-range antennas, and a UV-rated nylon housing with a black finish. They are designed for plug-and-play installation in outdoor luminaires equipped with compatible zhaga receptacles.

Features

- Photocell and PIR sensing technology with AlgoH2 algorithm for accurate detection up to 40 ft, minimizing false triggers.
- Photocell for Hold ON/OFF operation.
- IP66-rated for outdoor and wet locations.
- UV-resistant black nylon housing.
- Zhaga socket.

Requirements

- Compatible with Dim-to-Off LED drivers featuring a 12V AUX output.

TSSPF9D

Standard sensor for high ceilings
zhaga receptacle «plug and play»

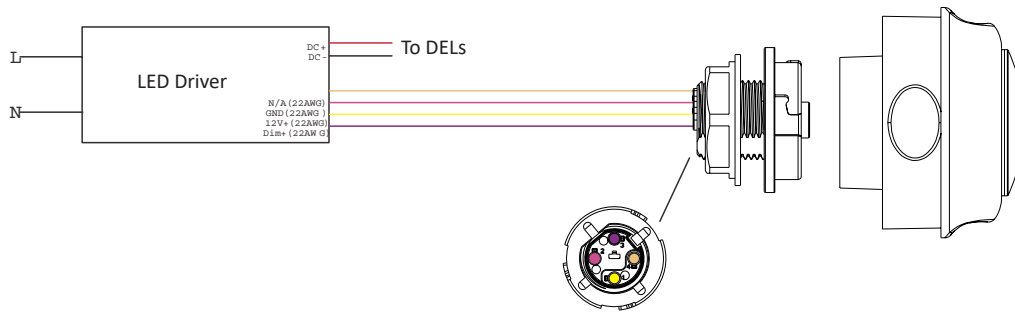


RoHS

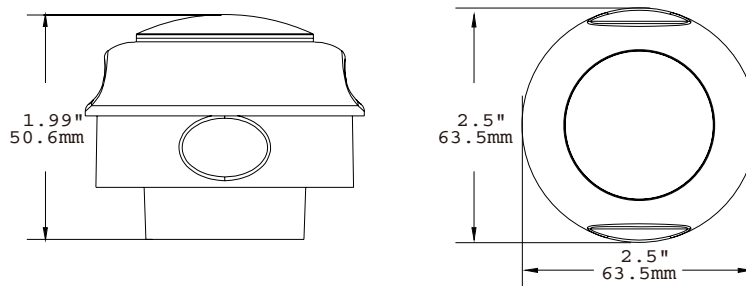
Specifications

Input voltage	DC 12V
Input current	15mA
Input power	0.2W
Output current	10mA Max
Output power	0.1W
Dimming	Class 2, 0-10V DC 10mA Max
Sinking current	10mA Max
Material	UL 94-5VA
Detection range	40'-80'
Mounting height	20'-40'
IR Remote Distance	40' indoor / 25' outdoor
Operating temperature	-30°C to 70°C, -22°F to 158°F
Storage temperature	-30°C to 85°C, -22°F to 185°F
IP rating	IP66
Color	Black
Warranty	5 years
Compliance	UL8750, RoHS, CSA C22.2 No. 250.13
Safety	E547370 cULus listed DLC: N-PS5MWH

Wiring

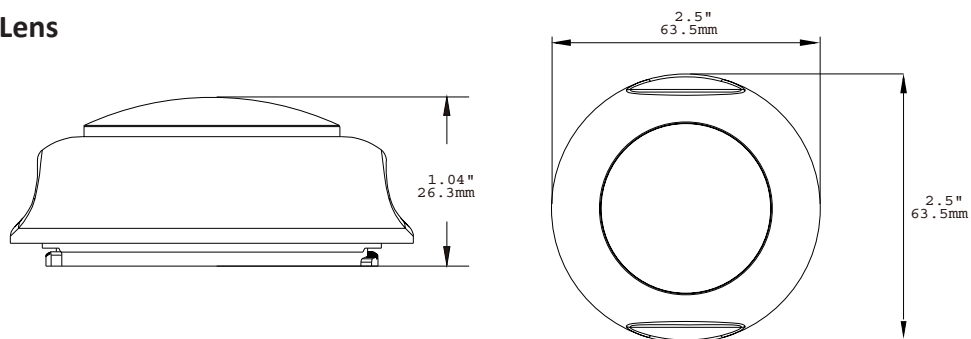


Dimensions

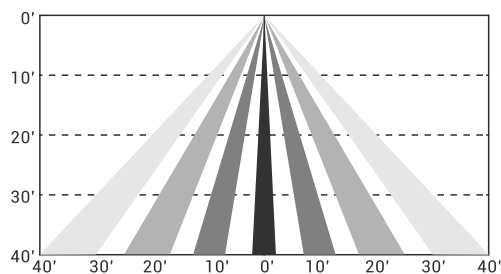


Coverage area

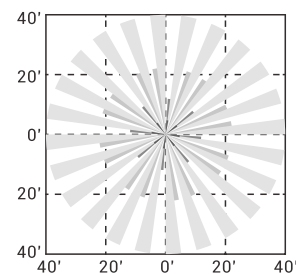
Included Lens



Coverage side view



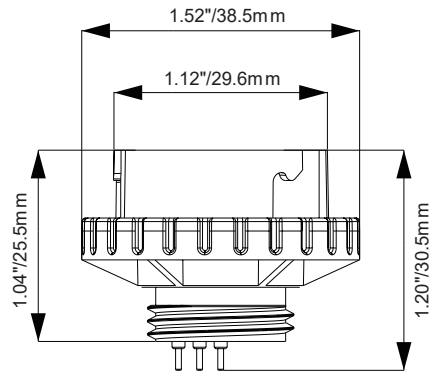
Coverage top view



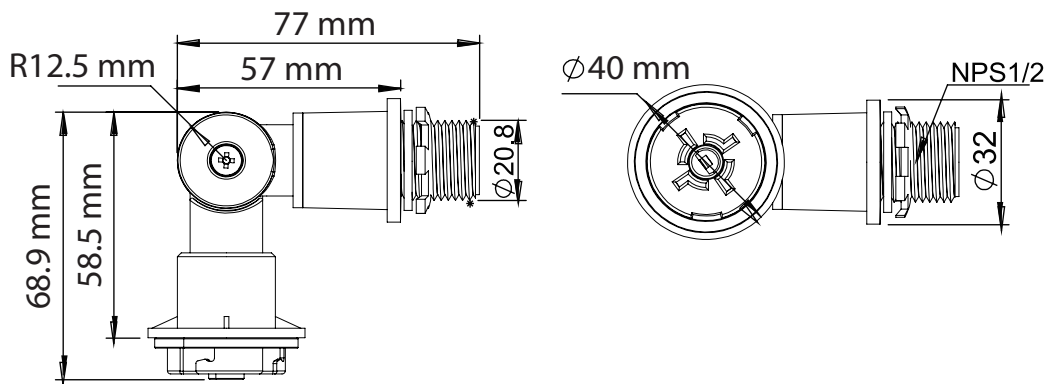
Height 40 ft

Information subject to change without notice. Pictures for illustration purpose only. rev. 2.6.1

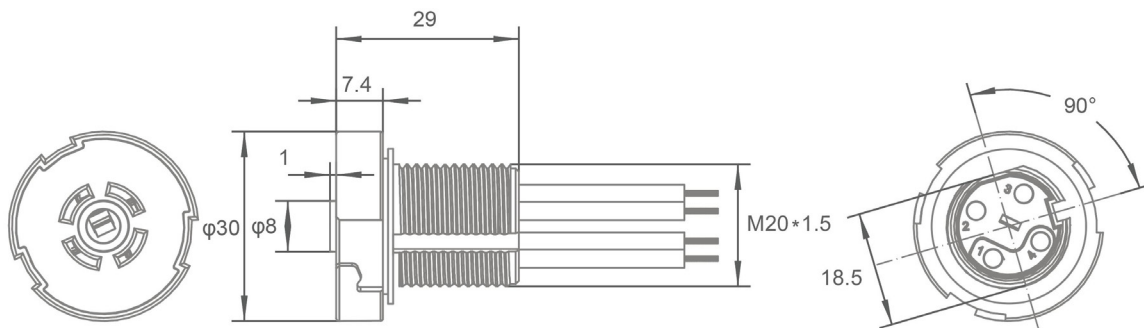
TSAD3P-Z Note: Sold separately



TSZB90BK Note: Sold separately



JL-700 Note: Sold separately



Remote instructions

Memory Mode (Commissioning)

To begin commissioning, follow these steps:

1. Select a memory profile: A, B, C, D, or E.
2. The remote's indicator lights will flash, indicating the currently saved settings.
3. Settings can be configured by pressing the appropriate buttons in the highlighted gray area of the remote (TRIM-LEVEL, SENSITIVITY, HOLD TIME, STANDBY DIM, STANDBY TIME, and PHOTOCELL). Review the selected settings and make changes as needed.
4. Point the remote at the desired luminaire and press «SEND.»
5. The luminaire will flash twice to confirm the settings are saved. Changing a parameter in a memory profile will automatically override previous settings.
6. If configuring multiple luminaires, repeat steps 4 and 5 after selecting the configured memory mode.

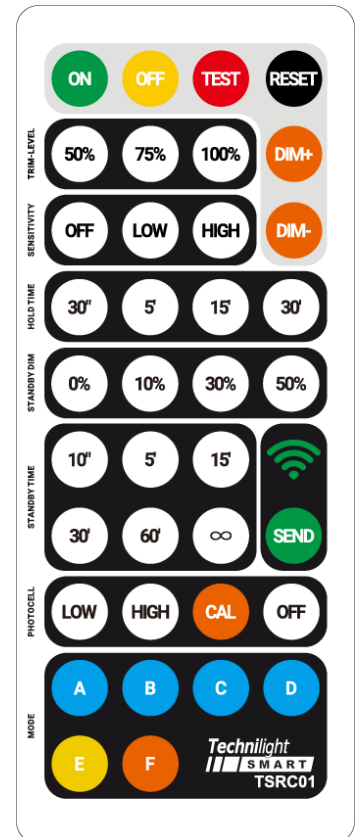
* **E Mode** allows for visual adjustment to choose the desired dimming level.

Daylight Harvesting (F Mode)

Continuous Adjustment Mode adjusts dimming levels based on daylight.

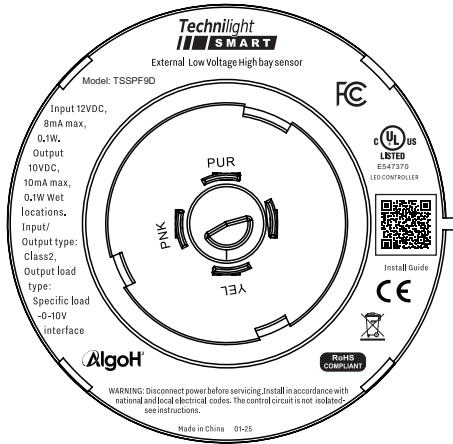
1. Point the remote at the desired luminaire and press «ON,» then press DIM+ or DIM- to adjust the dimming level.
2. Press «F.» The indicator lights on the remote will show the current saved settings. **Note:** Only TRIM-LEVEL, SENSITIVITY, and HOLD TIME can be selected for Daylight Harvesting settings
3. Review the selected settings and make changes as necessary. Press «SEND.»
4. If the configuration is successful, the luminaire will flash twice to confirm the setting is saved. If configuring multiple luminaires, select the configured Daylight Harvesting settings, then follow step 1, step 2 and step 3.

ON	Turns ON luminaires.
OFF	Turns OFF luminaires.
TEST	The fixture enters the test mode and exit automatically after 5 minutes, the test mode parameters are configured as follows: Trim-level: 100%, Sensitivity: HIGH, Hold time : 2s, Standby dim: 50%, Standby time: 2s.
RESET	Trim= 100%, Sensitivity = High, T1 = 5 min, Standby Dim = 30%, T2 = 60 min, Photocell = OFF.
DIM+/-	Press Dim+ or Dim- to adjust brightness in 0.5V increments. Hold the button for continuous dimming
TRIM-LEVEL	Set Maximum brightness.
SENSITIVITY	Set the motion sensitivity of the sensor LOW: 50% / HIGH: 100%, OFF: disable the motion detection function.
HOLD TIME	The duration that elapses without occupancy detection before transitioning to standby dim.
STANDBY DIM	Select any standby dim level.
STANDBY TIME	Standby time, when the time is set to "∞", the daylight detection function is activated.
PHOTOCELL	visible light threshold, the fixture is allowed to be turned on when it falls below the threshold LOW: 5fc / HIGH: 20fc, CAL: Collect the current visible light illuminance as the threshold, OFF: disable PHOTOCELL function.
MODE	Default configuration parameters for mode A to F.
SEND	Send settings to sensor.
DEFAULT MODE A	Trim= 100% , Sensitivity = Low , T1 = 30 min , Standby Dim = 50% , T2 = ∞ , Photocell = CAL .
DEFAULT MODE B	Trim= 100% , Sensitivity = Low , T1 = 30 min , Standby Dim = 50% , T2 = 15 min , Photocell = CAL .
DEFAULT MODE C	Trim= 100% , Sensitivity = Low , T1 = 30 min , Standby Dim = 50% , T2 = 15 min , Photocell = OFF .
DEFAULT MODE D	Trim= 50% , Sensitivity = Low , T1 = 30 s , Standby Dim = 50% , T2 = 30 min , Photocell = CAL .
DEFAULT MODE E	Manual Dimmer Mode, Trim= 100% .
DEFAULT MODE F	Daylight Harvesting, Trim= 50% , Sensitivity = Low , T1 = 15 min .



Information subject to change without notice. Pictures for illustration purpose only. rev. 2.6.1

Product label



Information subject to change without notice. Pictures for illustration purpose only. rev. 2.6.1